

Lysa

Woodburning Stoves



Swedish
Design & Efficiency

 **Dean Forge**

Lysa

Woodburning Stoves

Modern timeless design with elements of pure lines allows the Lysa range of stoves to easily blend in to many environments.

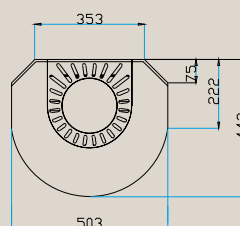
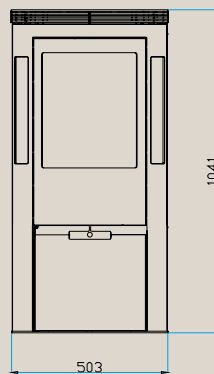
The Lysa range also boasts the latest combustion technology, making these models highly efficient.

The Lysa range, available now from Dean Stoves.



Velika 2

- Large door glass
- Side windows
- Store cupboard with door
- Powerful air wash system
- Riddling grate and ash pan
- Responsive control of the fire
- Integrated door handle
- Facility for closed combustion
- Colour options black or grey



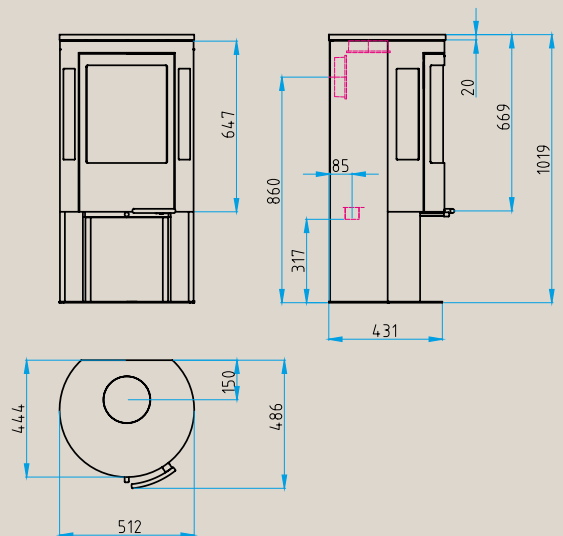
Velika 2

Distance from Combustibles

HEIGHT	WIDTH	DEPTH	WEIGHT	NOMINAL OUTPUT	OUTPUT	EFFICIENCY	CHIMNEY DIAMETER	LOG LENGTH	FUEL		REAR	SIDES
1041mm	503mm	442mm	120kg	5Kw	2-8Kw	Up to 78%	150mm	350mm	Wood		100mm	500mm

Velika 1

- Large door glass
- Side windows
- Log store
- Powerful air wash system
- Riddling grate and ash pan
- Responsive control of the fire
- Facility for closed combustion
- Colour options black or grey



Velika 1

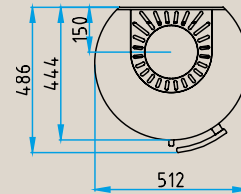
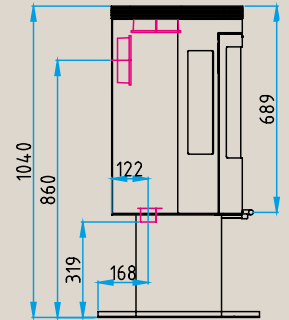
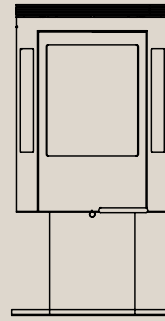
Distance from Combustibles

HEIGHT	WIDTH	DEPTH	WEIGHT	NOMINAL OUTPUT	OUTPUT	EFFICIENCY	CHIMNEY DIAMETER	LOG LENGTH	FUEL		REAR	SIDES
1019mm	512mm	444mm	120kg	5Kw	2-8Kw	Up to 78%	150mm	350mm	Wood		100mm	500mm



Pillar

- Large door glass
- Side windows
- Powerful air wash system
- Riddling grate and ash pan
- Responsive control of the fire
- Facility for closed combustion
- Colour options black or grey



Pillar

Distance from Combustibles

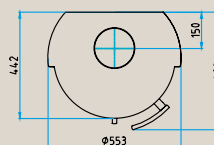
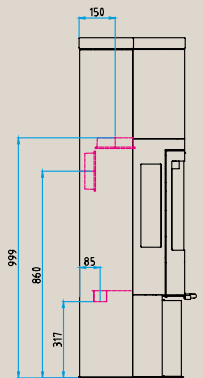
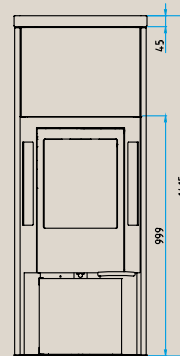
HEIGHT	WIDTH	DEPTH	WEIGHT	NOMINAL OUTPUT	OUTPUT	EFFICIENCY	CHIMNEY DIAMETER	LOG LENGTH	FUEL		REAR	SIDES
1040mm	512mm	444mm	120kg	5Kw	2-8Kw	Up to 78%	150mm	350mm	Wood		100mm	500mm



Tisa Heat Store

Releases heat for many hours after the fire is extinguished.

- Large door glass
- Side windows
- Store cupboard with door
- Powerful air wash system
- Riddling grate and ash pan
- Responsive control of the fire
- Facility for closed combustion
- Colour options black or grey
- Soapstone Top and Sides
- Built in heat storage blocks



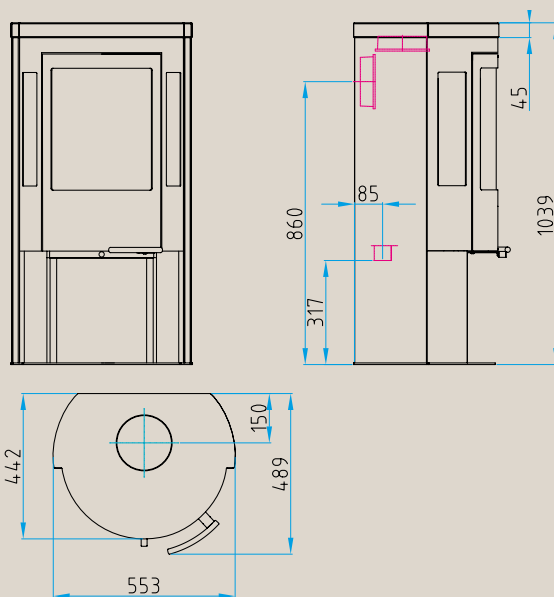
Tisa Heat Store

Distance from Combustibles

HEIGHT	WIDTH	DEPTH	WEIGHT	NOMINAL OUTPUT	OUTPUT	EFFICIENCY	CHIMNEY DIAMETER	LOG LENGTH	FUEL		REAR	SIDES
1415mm	553mm	442mm	250kg	5Kw	2-8Kw	Up to 78%	150mm	350mm	Wood		100mm	500mm

Velika Soapstone

- Large door glass
- Side windows
- Log store
- Powerful air wash system
- Riddling grate and ash pan
- Responsive control of the fire
- Facility for closed combustion
- Colour options black or grey
- Soapstone top and sides



Velika Soapstone

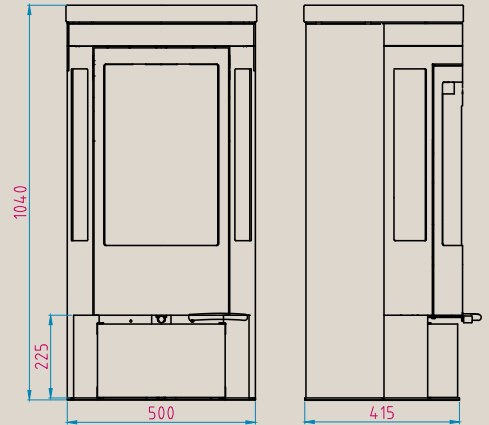
Distance from Combustibles

HEIGHT	WIDTH	DEPTH	WEIGHT	NOMINAL OUTPUT	OUTPUT	EFFICIENCY	CHIMNEY DIAMETER	LOG LENGTH	FUEL		REAR	SIDES
1039mm	553mm	442mm	164kg	5Kw	2-8Kw	Up to 78%	150mm	350mm	Wood		100mm	500mm

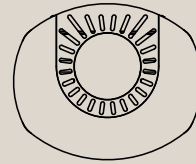


Elipse 1

- Large door glass
- Side windows
- Store cupboard with door
- Powerful air wash system
- Riddling grate and ash pan
- Responsive control of the fire
- Integrated door handle
- Facility for closed combustion
- Colour options black or grey



Elipse 1



Elipse 1

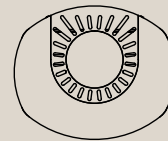
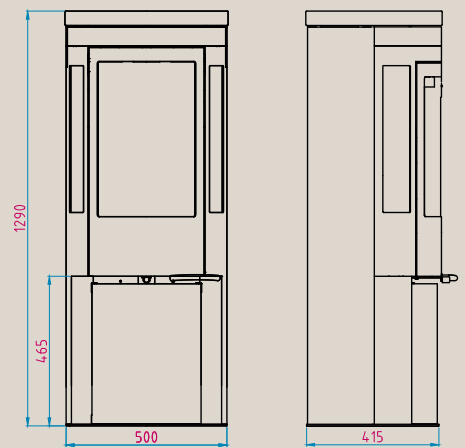
Distance from Combustibles

HEIGHT	WIDTH	DEPTH	WEIGHT	NOMINAL OUTPUT	OUTPUT	EFFICIENCY	CHIMNEY DIAMETER	LOG LENGTH	FUEL		REAR	SIDES
1040mm	500mm	415mm	105kg	5Kw	2-8Kw	Up to 78%	150mm	350mm	Wood		100mm	500mm



Elipse 3

- Large door glass
- Side windows
- Store cupboard with door
- Powerful air wash system
- Riddling grate and ash pan
- Responsive control of the fire
- Integrated door handle
- Facility for closed combustion
- Colour options black or grey



Elipse 3

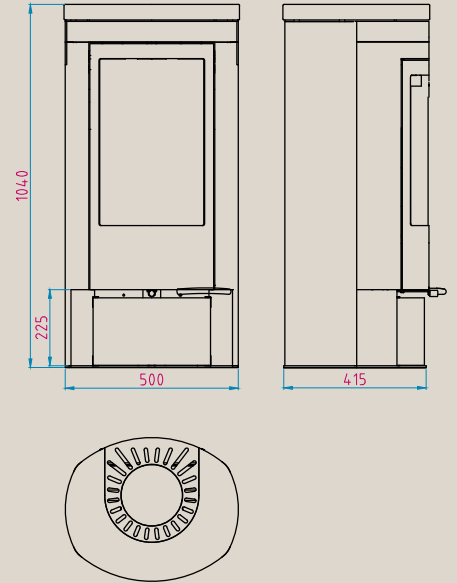
Distance from Combustibles

HEIGHT	WIDTH	DEPTH	WEIGHT	NOMINAL OUTPUT	OUTPUT	EFFICIENCY	CHIMNEY DIAMETER	LOG LENGTH	FUEL		REAR	SIDES
1290mm	500mm	415mm	109kg	5Kw	2-8Kw	Up to 78%	150mm	350mm	Wood		100mm	500mm



Elipse 5

- Large door glass
- Store cupboard with door
- Powerful air wash system
- Riddling grate and ash pan
- Responsive control of the fire
- Integrated door handle
- Facility for closed combustion
- Colour options black or grey



Elipse 5

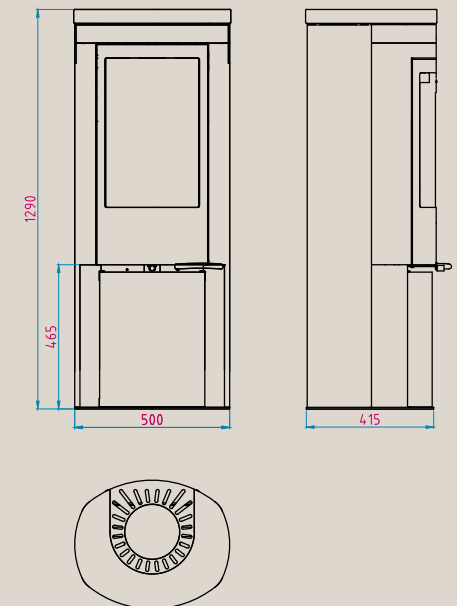
Distance from Combustibles

HEIGHT	WIDTH	DEPTH	WEIGHT	NOMINAL OUTPUT	OUTPUT	EFFICIENCY	CHIMNEY DIAMETER	LOG LENGTH	FUEL		REAR	SIDES
1040mm	500mm	415mm	105kg	5Kw	2-8Kw	Up to 78%	150mm	350mm	Wood		100mm	500mm



Elipse 7

- Large door glass
- Store cupboard with door
- Powerful air wash system
- Riddling grate and ash pan
- Responsive control of the fire
- Integrated door handle
- Facility for closed combustion
- Colour options black or grey



Elipse 7

Distance from Combustibles

HEIGHT	WIDTH	DEPTH	WEIGHT	NOMINAL OUTPUT	OUTPUT	EFFICIENCY	CHIMNEY DIAMETER	LOG LENGTH	FUEL		REAR	SIDES
1290mm	500mm	415mm	120kg	5Kw	2-8Kw	Up to 78%	150mm	350mm	Wood		100mm	500mm



UK importer:

Dean Forge Fabrications Ltd

Dean Prior, Buckfastleigh, Devon TQ11 0LS

Telephone: 01364 643574

Facsimile: 01364 643982

Email: stoves@dean-forge.co.uk

Dean Forge Fabrications Ltd has a policy of continuous development and reserve the right to change the specification on the stoves without further notice.

Stockist Stamp

www.dean-forge.co.uk